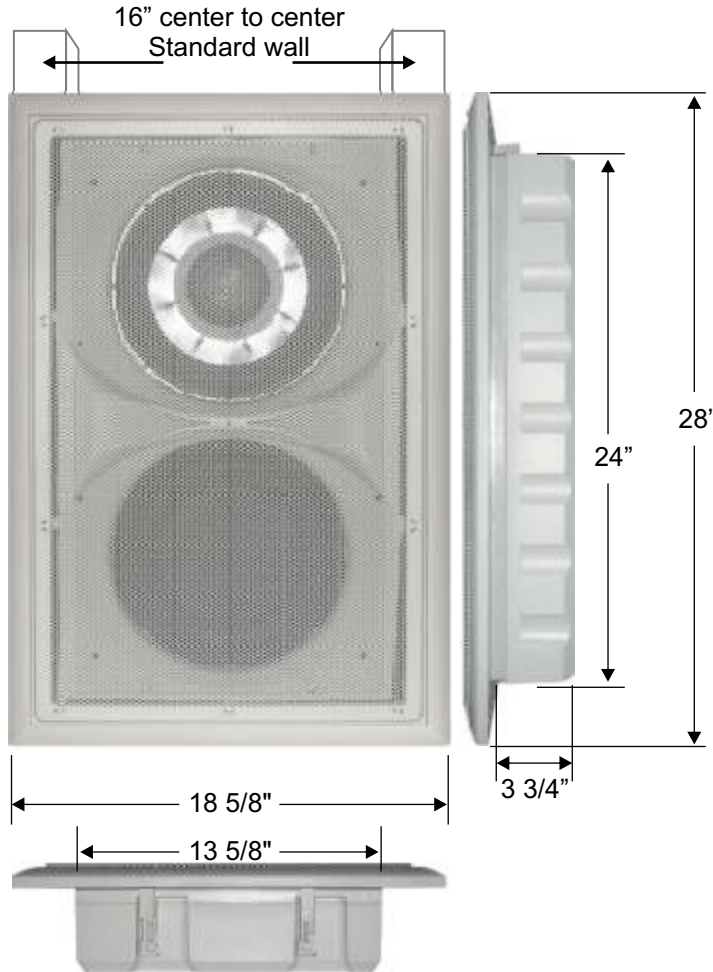


# THOR

10" in-wall subwoofer

## Thor In-Wall Subwoofer and PA-600 Pro-Audio Amplifier

### Dimensions & Wiring Configurations



### THOR In-Wall TRUE Subwoofer

"In-wall sub-bass without losing space" is what "THOR" offers to consumers. Bulky and heavy subs are no longer needed to get the full effects of a sound track or a movie clip. "THOR" drops in any wall in your home -retro or new construction- generating low bass down to 17Hz. With paintable frame and optional cloth or metal grill, "THOR" remains transparent to the eyes and spectacular to the ears".

Joseph Sahyoun / President & Chief Engineer of  
Earthquake Sound Corporation

### Several patents were implemented in the design of the Thor In-wall:

U.S. Patent # 6,675,931  
U.S. Patent # 6,626,263  
U.S. Patent # 6,460,651  
U.S. Patent # 6,044,925

### PA-600 Matched Pro-Amplifier

The Earthquake PA-600 Amplifier and the Thor-10" In-wall subwoofer are matched for optimum performance. Earthquake recommends that installers use two subwoofers per amplifier to get best results from the sound stage and to maintain max system efficiency (see page #2 for recommended applications).



Earthquake Sound Corporation • 2727 McCone Avenue, Hayward Ca, 94545  
Phone: 800-576-7944 Fax: 510-732-1095 [www.earthquakesound.com](http://www.earthquakesound.com)

Specifications and Literature are Subject to Change

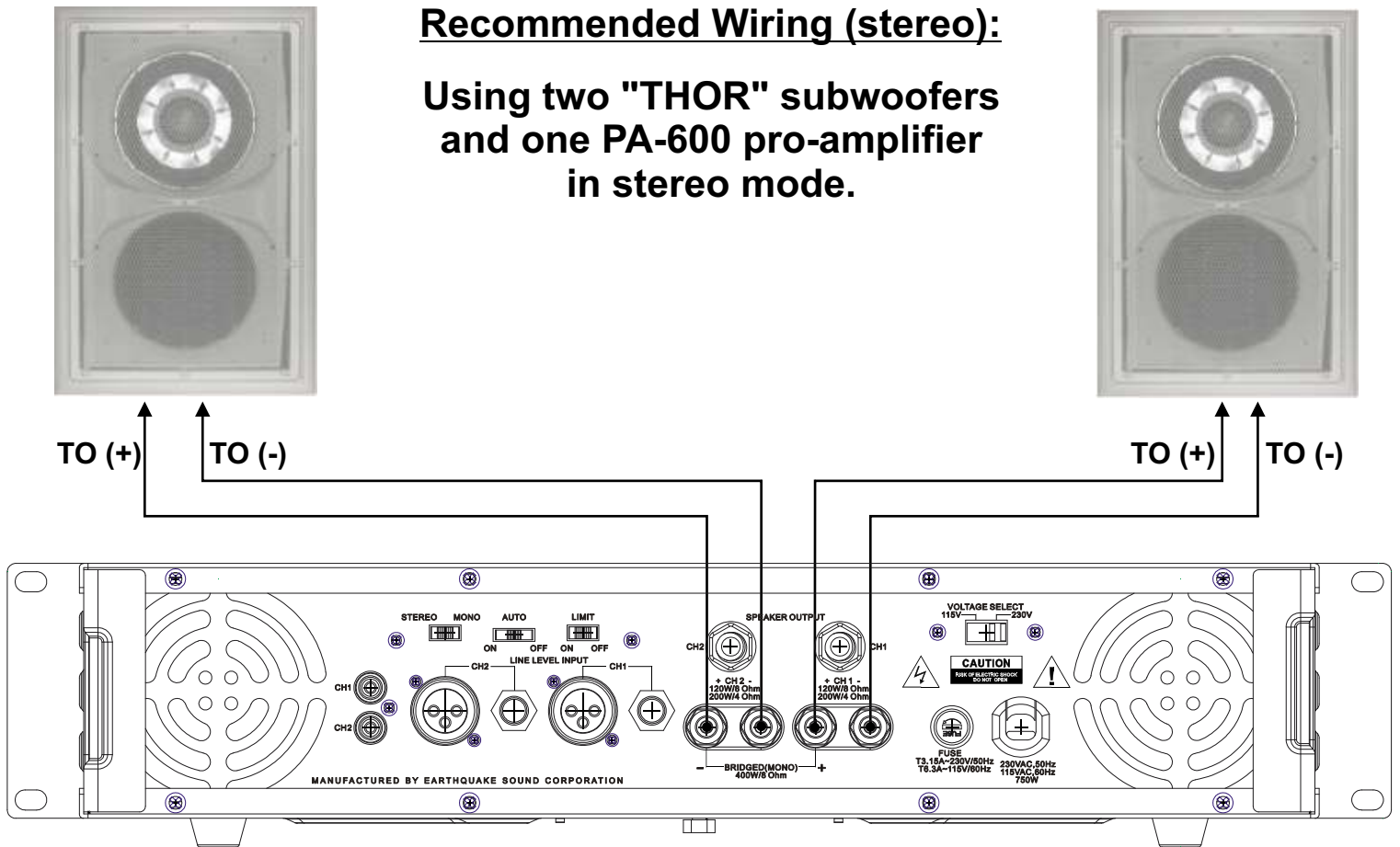
**EARTHQUAKE  
EARTHQUAKE  
SOUND**  
Sound That Will Move You.

# THOR

10" in-wall subwoofer

## Recommended Wiring (stereo):

Using two "THOR" subwoofers and one PA-600 pro-amplifier in stereo mode.



## Recommended Wiring (mono):

Using one "THOR" subwoofer and one PA-600 pro-amplifier in mono mode.

