



# **AWS**

**All Weather Speakers**  
**Owner's Manual**  
**& Warranty**

## **Models:**

AWS-502

AWS-602

AWS-802



Earthquake Sound reserves the right to amend details of the specifications without notice.  
Copyright © Earthquake Sound Corporation  
Earthquake Sound Corporation • 2727 McCone Avenue Hayward CA, 94545  
Phone: 510-732-1000 Fax: 510-732-1095

[www.earthquakesound.com](http://www.earthquakesound.com)

# Earthquake Consumer Warranty and Guidelines

## **Five (5) year limited warranty:**

Earthquake warrants the original purchaser that all Factory Sealed New Audio Products to be free from defects in material and workmanship, under normal and proper use, for a period of five (5) years from the date of purchase (as shown on the original bill of sale with serial number affixed/written on it). The five (5) year warranty period is valid only if an authorized Earthquake dealer properly installs the product, and the warranty registration card is properly filled out and sent to Earthquake Sound Corporation. If a non-authorized party installs the product a ninety (90) day warranty period will be applied.

## **(A) Five (5) years limited warranty plan coverage guidelines:**

- **First year:** Earthquake pays for labor, parts, and ground freight (only in US mainland, not including Alaska and Hawaii).
- **Second year:** Earthquake pays for labor and parts only, customer must pay freight both ways.
- **Third, fourth & fifth year:** Earthquake pays labor only. Customer must pay for parts and freight both ways.

## **(B) Warning:**

Products (sent for repair) that are tested by Earthquake technicians and deemed to have no problem(s) will not be covered by the five (5) year limited warranty. Customer will be charged a minimum of one (1) hour of labor (ongoing rates) plus shipping charges back to customer.

## **(C) Earthquake will repair or replace - at our option - all defective products/parts subject to the following provisions:**

- Defective products/parts have not been altered or repaired by other than an Earthquake factory approved technician. Products/parts are not subjected to negligence, misuse, improper use, or accident, damaged by improper line voltage, used with incompatible products, or have its serial number or any part of it altered, defaced or removed, or have been used in any way that is contrary to Earthquake's written instructions.

## **(D) Warranty Limitations:**

Warranty does not cover products that have been modified or abused. Including but not limited to the following:

- Damages to speaker cabinet and cabinet finish due to misuse, abuse, or use of improper use of cleaning materials/methods.
- Bent speaker frame, broken speaker connectors, holes in speaker cone, surround & dust cap, burnt speaker voice coil.
- Fading, deterioration of speaker components & finish due to improper exposure to elements.

- Bent amplifier casing, damaged finish on the casing due to abuse, misuse, or improper use of cleaning material.
- Burnt tracers on PCB.
- Product/part damaged due to poor packaging or abusive shipping conditions.
- Subsequent damage to other products.

**A** warranty claim will not be valid if the warranty registration card is not properly filled & returned to Earthquake with a copy of the sales invoice. Warranty card is located on the last page of this manual.

## **(E) Service Request:**

To receive product/s service, contact Earthquake service department at (510) 732-1000 and request an RMA number (Return Material Authorization), items shipped without a valid RMA number will be refused. Make sure you provide us with your complete/correct shipping address, a valid phone number, and a brief description of the problem you are experiencing with the product. In most cases, our technicians might be able to resolve the problem over the phone, thus eliminating the need to ship the product.

## **(F) Shipping Instructions:**

Product/s must be packaged in its original protective box(s) to minimize transport damage. Shipper claims regarding items damaged in transit must be presented to carrier. Earthquake Sound Corporation reserves the right to refuse product improperly packed. Original bill of sale must accompany product returned for service. We encourage you to include with the package a written description of the problem. Ship product to: Earthquake Sound Corp. 2727 Mc Cone Avenue, Hayward, CA 94545. Ph (510) 732-1000. You are responsible for the cost of shipping the product to Earthquake Sound Corporation.

## **(G) Disputes Resolution:**

All disputes - between clients and Earthquake Sound Corporation - resulting from the five (5) years limited warranty policy must be resolved according to the laws & regulations of the county of Alameda -California.

Please keep this warranty information in a safe place. Also we recommended that you place or write your serial number here for future reference if necessary.

**SERIAL NUMBER**

**Description**

Thank you for purchasing the new AWS indoor / outdoor speakers by Earthquake Sound. Combining the infamous Earthquake Sound that will move you with the latest and best weather resistance and manufacturing methods, the AWS speakers are ideally suited for you with, the highlight feature being the outdoor resistance - sun, rain, snow, heat and cold - or marine use. Their presence is as equal indoors as well as out bringing life to your background music, hi-fi, or home theater. All models in the AWS line are true two-way designs with all acoustic parts sealed and gasketed against penetrating weather.

Earthquake Sound Corp. has a proven history of successful and brilliant audio products spanning over 19 years. Earthquake specifically designed the AWS line to minimize damage caused by extreme weather conditions that typically other speakers are not capable of defending against. With a durable construction and proven materials like; molded PVC cabinets, electro plating, UV protection, aluminum grills and brackets, gold-plated speaker connections. Drivers constructed with high roll rubber surrounds, longer excursion for better bass. Agile brackets make installation easier in most situations and the speakers shape allows for simplified corner placement. The AWS line is the best choice in a large market of uncertain products to choose from.

**Specifications**

**AWS-502**

**AWS-602**

**AWS-802**

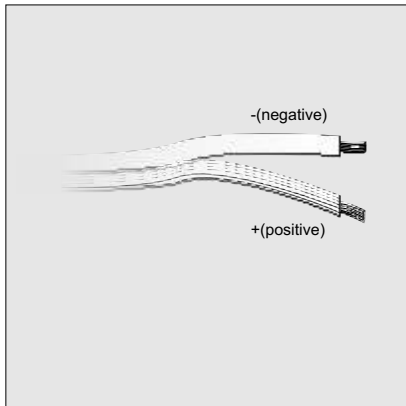
Specifications	AWS-502	AWS-602	AWS-802
Frequency Response (±3dB)	68-20kHz	65-20kHz	55-20kHz
Recommended Amplifier Power	20-125 Watts	35-150 Watts	60-200 Watts
Nominal Impedance	8ohm	8ohm	8ohm
Sensitivity (1W@1M)	90dB	96dB	96dB
Woofers (Mica cone with butyl surround)	5 inch (127mm) 25mm ASV voice coil	6 inch (152.40mm) 25mm ASV voice coil	8 inch (203.2) 25mm ASV voice coil
Tweeter	One 1/2" (13mm) PEI Mylar Dome 25mm ASV voice coil	One 1/2" (13mm) PEI Silk Dome 25mm KSV voice coil	One 1/2" (13mm) PEI Silk Dome 25mm ASV voice coil
Dimensions <small>without bracket</small> (HxWxD)	9 5/8" (244.475mm) 7 1/8" (180.975mm) 5 3/4" (146.05mm)	11 1/2" (292.10mm) 8 1/2" (215.90mm) 7 1/8" (180.975mm)	14 7/16" (366.7125mm) 10 3/4" (273.05mm) 8 1/8" (206.375mm)
Grill and Bracket	Powder Coated Aluminum	Powder Coated Aluminum	Powder Coated Aluminum
Enclosure	High Temp Molded PVC	High Temp Molded PVC	High Temp Molded PVC

## How to Wire the AWS Speakers

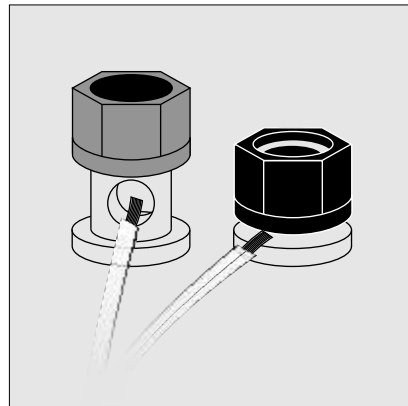
In order to achieve the best quality and stereo imaging from your AWS speakers, you must wire the speakers correctly. Wiring can be quickly and easily achieved, but be aware and cautious of your work, wiring incorrectly can result in poor sound stage and bass reproduction. 18-gauge (or heavier) speaker cables are recommended for lengths ranging from 25 feet and up. Prep your cable for installation: strip the ends 1/2" (12mm) to expose wire, and tightly twist the ends. For installations that are run on or through a building, use the correct weather proofed wire that complies with local codes.

### WARNING

Prevent electrical shock, by switching off the amplifier or receiver when making connections to the speaker. When making all connections, be sure to connect the + (positive) on the speaker to the + (positive) on the amplifier, and the - (negative) on the speaker to the - (negative) on the amplifier.



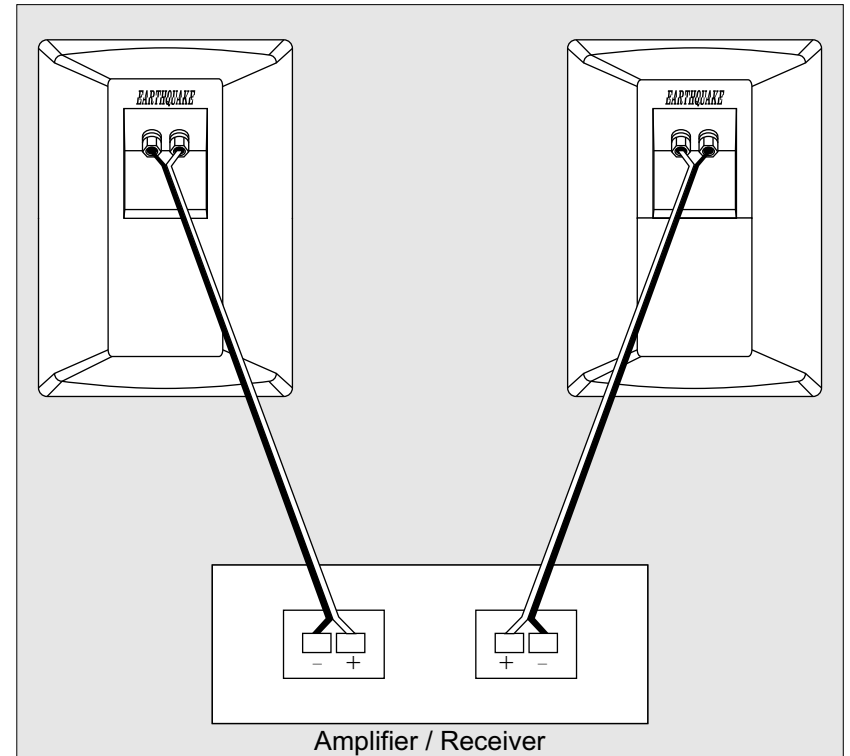
**IMPORTANT:** Speaker wire is usually marked or textured differently to distinguish between positive and negative.



Using the gold-plated binding posts: you can easily connect banana-plugs, spade-plugs and bare wire. Insert the wire into the hole tighten securely (do not let bare wire hang out side of hole).

## Connecting to an Amplifier or Receiver

- 1) Connect the speaker terminals to the amplifier speaker outputs.
- 2) When making all connections, be sure to connect +(positive) to +(positive) and - (negative) to -(negative).



### Verify That You Correctly Connected Your Speakers

It is important that your speakers are hooked up with alike polarity or "in-phase". Use this easy test to determine if you have connected your speakers correctly. Place speakers face-to-face, as close together as possible. Set your amplifier to mono and begin listening to music, reverse the connections on one of the speakers. You should hear distinguishable change in sound. The speaker that plays louder and deeper is the one that is connected correctly.

## Volume and Power Handling limitations

The listed power recommendations assume you will operate your system in a way that will not produce distortion (blow your speakers). Even these speakers can be damaged by a modest amplifier if it is not operated properly. If you hear distortion (harsh or crackling noise) you're over powering the speakers and should immediately turn the volume down. Prolonged abuse caused by over powering the speakers will cause permanent damage that may not be covered by the Earthquake limited warranty.

## Speaker Placement

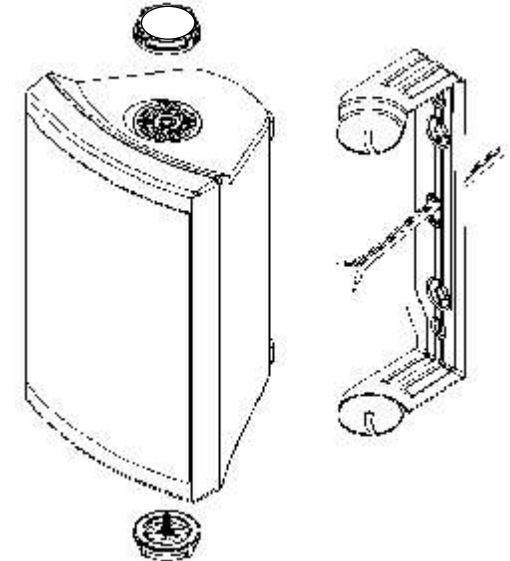
Speaker location is one of the key factors for better sound quality. Taking your time to place your speakers correctly ensures that your speakers will sound best in any indoor or outdoor situation. Stereo sound is best heard when the speakers are separated by at least 3-6ft. Usually placing speakers by a wall or other surface will increase your bass response. Outdoors, placement under the eaves of a roof reduces exposure to constant direct sunlight and precipitation, which will extend the speaker life. Respect your neighbors; if you know that it will affect your neighbors privacy face the speaker toward the intended listening area to contain the amount of distance that the sound will travel.

## Mounting the AWS speakers

Before you fasten all items down, you may want to test the placement of your speakers to ensure that you are getting the best sound possible. Use the supplied bracket to mount the speaker vertically or horizontally on your chosen surface. The bracket offers multiple mounting options; key hole sockets and standard screw holes the difference is usually based on the surface type (you may want to consult with an installer regarding the proper hardware to use).

To mount, remove the bracket from the enclosure. To make wire less noticeable you can insert it from the surface through the hole in the bracket and into the connections. Mount the bracket in a desired location, and fasten the speaker to the bracket. Finally face the speaker in the direction where the sound will most needed.

Earthquake also placed two 1/4" threaded inserts on the back of the speaker for alternative mounting options. Some additional options include floor stands, hanging devices etc... These items can usually be found at the dealer where you made your purchase or any other audio outlet.



## If You Feel That the Speaker is Not Working

First contact the dealer where the speakers were originally purchased, if this is not an option, you may contact the Earthquake service department; 510.732.1000. Products purchased on auction website or from unauthorized Earthquake dealers will be charged shipping, labor and parts. Make sure you protect your investment and buy from an authorized dealer.

[WWW.EARTHQUAKESOUND.COM](http://WWW.EARTHQUAKESOUND.COM)

VALID IN U.S. MAINLAND ONLY

**5 YEAR**  
**LIMITED**  
**WARRANTY**